

Quantela

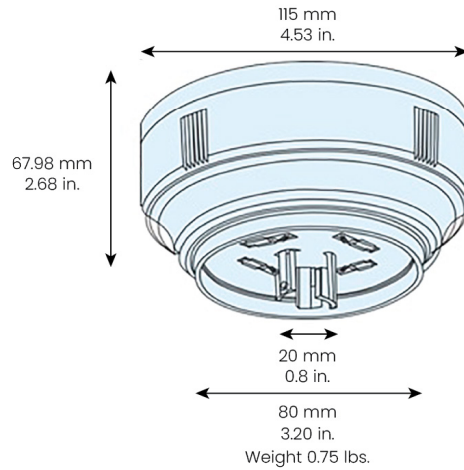
NB-IoT/ Cat-M1 Street Light Controller



Quantela are a global leading vendor of smart street light controls, with more than 1.3 million streetlights under contract, plug and play, reliable control of streetlighting assets. Remotely control and operate LED lights, immediately detect lighting issues, and accurately track asset information in your lighting network, all from one easy-to-use platform to save time and reduce expenses.

Quantela (formerly CIMCON Lighting) iSLC3100-7P-N is an intelligent wireless streetlight controller with exceptional fault tolerance and a multitude of features.

-
- **Economic scalability** - from small town deployment to municipalities and utilities and countrywide deployments
 - **Robust** - resilient cellular LP-WAN operation and operates normally and logs activity even when disconnected from the network
 - **Resilient** - automatically connects to best available base station, always covered by multiple base stations
 - **ON/OFF switching full dimming control**
 - **GPS**
 - **Constant status and health monitoring** of light, alarm and alert notifications
 - **Proven quality and reliability** with over 12 years' experience
 - **Over-the-air** configuration and firmware upgrades
 - **Optional Infrared Meter Calibration Interface**
 - **0.5% Energy metrology accuracy**
 - **Per day, per hour, or per minute records** and robust utility billing integration
 - **Photocell override**



Technical Specifications

Physical	Connections	7 PIN (ANSI C136.41)
Regulatory	Standards	FCC/ETSI/UL
	Country Approvals	Contact Quantela for details
	Manufacturing	ISO9001 and ISO4001
Metering	Utility grade accuracy	0.5%
	Power parameters measured	Voltage, Current, Power Factor, Frequency, kW and kWh
GPS	Accuracy	3M CEP*
Radio	Cellular	NB-IoT, Cat-M1, EGPRS
	Supported bands	1, 2, 3, 4, 5, 8, 12, 13, 18, 19, 20, 25, 26, 28 and 39
	Receive Sensitivity (NB-IoT)	-113 dBm
	Receive Sensitivity (Cat-M1)	-105 dBm
Environmental	IP rating	IP66
	IK rating	IK10
	Temperature (°C/°F)	-40°C to +70°C / -40°F to +158°F
Power	Voltage	105V-305V
	Consumption	<1.9W average
	Switching	10A
	Dimming (on board)	0-10V, DALI or Autodetect
	Surge protection	CAT-C 700 Joule (20kV/10kA)
Advanced	Constant light output (CLO)	Supported
	Sensor dimming	Supported
Warranty	Hardware Warranty	5 Years (10 Years optional Extended Warranty)

*Subject to Environmental conditions



04/2022 r8

quantela.com